

PLYCO CORPORATION

SERIES 95EV FLUSH STEEL OUTSWING DOOR (NON-IMPACT)



Plyco Corporation
500 Industrial Rd.
Elkhart Lake, WI 53020

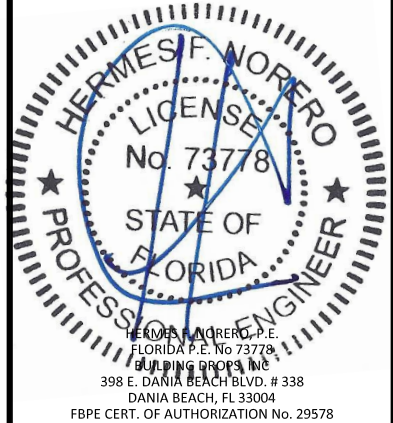
TITLE: SERIES 95EV FLUSH STEEL
OUTSWING DOOR
(NON-IMPACT)
INSTALLATION & GENERAL NOTES

PREPARED BY:
BUILDING DROPS, INC.
398 E. DANIA BEACH BLVD., STE. 338
DANIA BEACH, FL 33004
PH: (954)399-8478
FAX: (954)744-4738
WEB: www.buildingdrops.com



REMARKS	BY	DATE
FBC 2010 CODE CHANGE	GN	04.06.12
5TH ED. FBC CODE UPDATES	BB	05.21.15
7TH FBC CODE UPDATE	NUS	09.16.20

THE INSTALLATION DETAILS DESCRIBED HEREIN ARE GENERIC AND MAY NOT REFLECT ACTUAL CONDITIONS FOR A SPECIFIC SITE. IF SITE CONDITIONS CAUSE INSTALLATION TO DEVIATE FROM THE REQUIREMENTS DETAILED HEREIN, A LICENSED ENGINEER OR ARCHITECT SHALL PREPARE SITE SPECIFIC DOCUMENTS FOR USE WITH THIS DOCUMENT.



FL #: **FL 14800**

DATE: **06.10.20**

DWG. BY: **NUS** CHK. BY: **HFN**

SCALE: **NTS**

DWG. #: **PCO002**

SHEET:
1
OF 5

INSTALLATION NOTES:

- ONE (1) INSTALLATION ANCHOR IS REQUIRED AT EACH ANCHOR LOCATION SHOWN UNLESS OTHERWISE NOTED.
- THE NUMBER OF INSTALLATION ANCHORS DEPICTED IS THE MINIMUM NUMBER OF ANCHORS TO BE USED FOR PRODUCT INSTALLATION.
- INSTALL INDIVIDUAL INSTALLATION ANCHORS WITHIN A TOLERANCE OF ±1/2 INCH OF THE DEPICTED LOCATION IN THE ANCHOR LAYOUT DETAIL (I.E., WITHOUT CONSIDERATION OF TOLERANCES). TOLERANCES ARE NOT CUMULATIVE FROM ONE INSTALLATION ANCHOR TO THE NEXT.
- SHIM AS REQUIRED AT EACH INSTALLATION ANCHOR WITH LOAD BEARING SHIM(S). MAXIMUM ALLOWABLE SHIM STACK TO BE 1/4 INCH. SHIM WHERE SPACE OF 1/16 INCH OR GREATER OCCURS. SHIM(S) SHALL BE CONSTRUCTED OF HIGH DENSITY PLASTIC OR BETTER.
- FOR INSTALLATION INTO WOOD FRAMING USE **#10 WOOD SCREWS** OF SUFFICIENT LENGTH TO ACHIEVE 1 1/2 INCH MINIMUM EMBEDMENT INTO WOOD SUBSTRATE.
- FOR INSTALLATION THROUGH 1X BUCK TO CONCRETE/MASONRY, OR DIRECTLY INTO CONCRETE/MASONRY, USE **3/16 INCH DIAMETER ITW TAPCONS** OF SUFFICIENT LENGTH TO ACHIEVE 1 1/4 INCH MINIMUM EMBEDMENT.
- FOR INSTALLATION INTO STEEL STUD FRAME USE **#10 SELF DRILLING SCREWS** OF SUFFICIENT LENGTH TO ACHIEVE A MINIMUM 3 THREADS PENETRATION BEYOND STEEL STRUCTURE.
- MINIMUM EMBEDMENT AND EDGE DISTANCE EXCLUDE WALL FINISHES, INCLUDING BUT NOT LIMITED TO STUCCO, FOAM, BRICK VENEER, AND SIDING.
- INSTALLATION ANCHORS AND ASSOCIATED HARDWARE MUST BE MADE OF CORROSION RESISTANT MATERIAL OR HAVE A CORROSION RESISTANT COATING.
- FOR HOLLOW BLOCK AND GROUT FILLED BLOCK, DO NOT INSTALL INSTALLATION ANCHORS INTO MORTAR JOINTS. EDGE DISTANCE IS MEASURED FROM FREE EDGE OF BLOCK OR EDGE OF MORTAR JOINT INTO FACE SHELL OF BLOCK.
- INSTALLATION ANCHORS SHALL BE INSTALLED IN ACCORDANCE WITH ANCHOR MANUFACTURER'S INSTALLATION INSTRUCTIONS, AND ANCHORS SHALL NOT BE USED IN SUBSTRATES WITH STRENGTHS LESS THAN THE MINIMUM STRENGTH SPECIFIED BY THE ANCHOR MANUFACTURER.
- INSTALLATION ANCHOR CAPACITIES FOR PRODUCTS HEREIN ARE BASED ON SUBSTRATE MATERIALS WITH THE FOLLOWING PROPERTIES:
 - WOOD - MINIMUM SPECIFIC GRAVITY OF 0.42.
 - CONCRETE - MINIMUM COMPRESSIVE STRENGTH OF 2700 PSI.
 - MASONRY - STRENGTH CONFORMANCE TO ASTM C-90.
 - STEEL - MINIMUM YIELD STRENGTH OF 33 KSI. MINIMUM WALL THICKNESS OF 48 MILS (18 GAUGE).

GENERAL NOTES:

- THE PRODUCT SHOWN HEREIN IS DESIGNED AND MANUFACTURED TO COMPLY WITH THE CURRENT FLORIDA BUILDING CODE (FBC), EXCLUDING HVHZ AND HAS BEEN EVALUATED ACCORDING TO THE FOLLOWING:
 - AAMA/WDMA/CSA 101/I.S.2/A440-08
- ADEQUACY OF THE EXISTING STRUCTURAL CONCRETE/MASONRY AND 2X FRAMING AS A MAIN WIND FORCE RESISTING SYSTEM CAPABLE OF WITHSTANDING AND TRANSFERRING APPLIED PRODUCT LOADS TO THE FOUNDATION IS THE RESPONSIBILITY OF THE ENGINEER OR ARCHITECT OF RECORD FOR THE PROJECT OF INSTALLATION.
- 1X AND 2X BUCKS (WHEN USED) SHALL BE DESIGNED AND ANCHORED TO PROPERLY TRANSFER ALL LOADS TO THE STRUCTURE. BUCK DESIGN AND INSTALLATION IS THE RESPONSIBILITY OF THE ENGINEER OR ARCHITECT OF RECORD FOR THE PROJECT OF INSTALLATION.
- THE INSTALLATION DETAILS DESCRIBED HEREIN ARE GENERIC AND MAY NOT REFLECT ACTUAL CONDITIONS FOR A SPECIFIC SITE. IF SITE CONDITIONS CAUSE INSTALLATION TO DEVIATE FROM THE REQUIREMENTS DETAILED HEREIN, A LICENSED ENGINEER OR ARCHITECT SHALL PREPARE SITE SPECIFIC DOCUMENTS FOR USE WITH THIS DOCUMENT.
- APPROVED IMPACT PROTECTIVE SYSTEM **IS REQUIRED** ON THIS PRODUCT IN AREAS REQUIRING IMPACT RESISTANCE.
- FRAME MATERIAL: ALUMINUM 6063-T5 & CS-B STEEL
- IN ACCORDANCE WITH THE FBC, DISSIMILAR METALS INCLUDING FASTENERS THAT MAY COME INTO CONTACT WITH ALUMINUM UNIT FRAMING SHALL BE PROTECTED.
- ALL EXPOSED STEEL COMPONENTS ARE GALVANIZED AND SHOP PRIMED.

TABLE OF CONTENTS	
SHEET	SHEET DESCRIPTION
1	INSTALLATION & GENERAL NOTES
2	ELEVATION & ANCHOR LAYOUT
3	VERTICAL SECTIONS
4	HORIZONTAL SECTIONS
5	COMPONENTS & BILL OF MATERIALS

DESIGN PRESSURE RATING			
LOCK TYPE	DESIGN PRESSURE - ALL SIZES		MISSILE IMPACT RATING
SINGLE POINT	+50.0 / -50.0 PSF *	W/O WATER INFILTRATION	NON-IMPACT
SINGLE POINT W/ DEAD BOLT	+75.0 / -75.0 PSF *	W/O WATER INFILTRATION	NON-IMPACT

*UNIT SHALL BE INSTALLED AT LOCATION PROTECTED BY OVERHANG SUCH THE OVERHANG RATIO (OH) = OH LENGTH/OH HEIGHT GREATER THAN 1.0 WHERE WATER INFILTRATION IS REQUIRED.

I:\projects\plyco corp\lcc-20-0517 - fbc submittal - fbc 2020 (version 7) code change for plyco corp\dwg\14800_2\pc002_2020-09-16.dwg

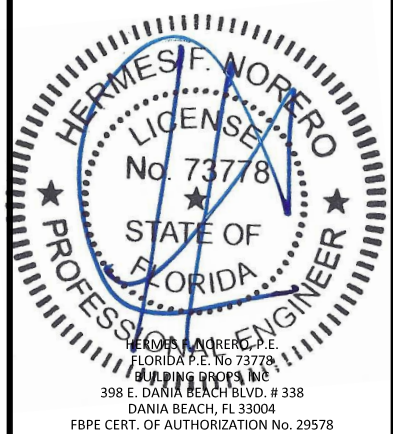
TITLE: SERIES 95EV FLUSH STEEL
OUTSWING DOOR
(NON-IMPACT)
ELEVATION &
ANCHOR LAYOUT

PREPARED BY: BUILDING DROPS, INC.
398 E. DANIA BEACH BLVD., STE. 338
DANIA BEACH, FL 33004
PH: (954)399-8478
FAX: (954)744-4738
WEB: www.buildingdrops.com



REMARKS	BY	DATE
FBC 2010 CODE CHANGE	GN	04.06.12
5TH ED. FBC CODE UPDATES	BB	05.21.15
7TH FBC CODE UPDATE	NUS	09.16.20

THE INSTALLATION DETAILS DESCRIBED HEREIN ARE GENERIC AND MAY NOT REFLECT ACTUAL CONDITIONS FOR A SPECIFIC SITE. IF SITE CONDITIONS CAUSE INSTALLATION TO DEVIATE FROM THE REQUIREMENTS DETAILED HEREIN, A LICENSED ENGINEER OR ARCHITECT SHALL PREPARE SITE SPECIFIC DOCUMENTS FOR USE WITH THIS DOCUMENT.



FL #: **FL 14800**

DATE: **06.10.20**

DWG. BY: **NUS** CHK. BY: **HFN**

SCALE: **NTS**

DWG. #: **PCO002**

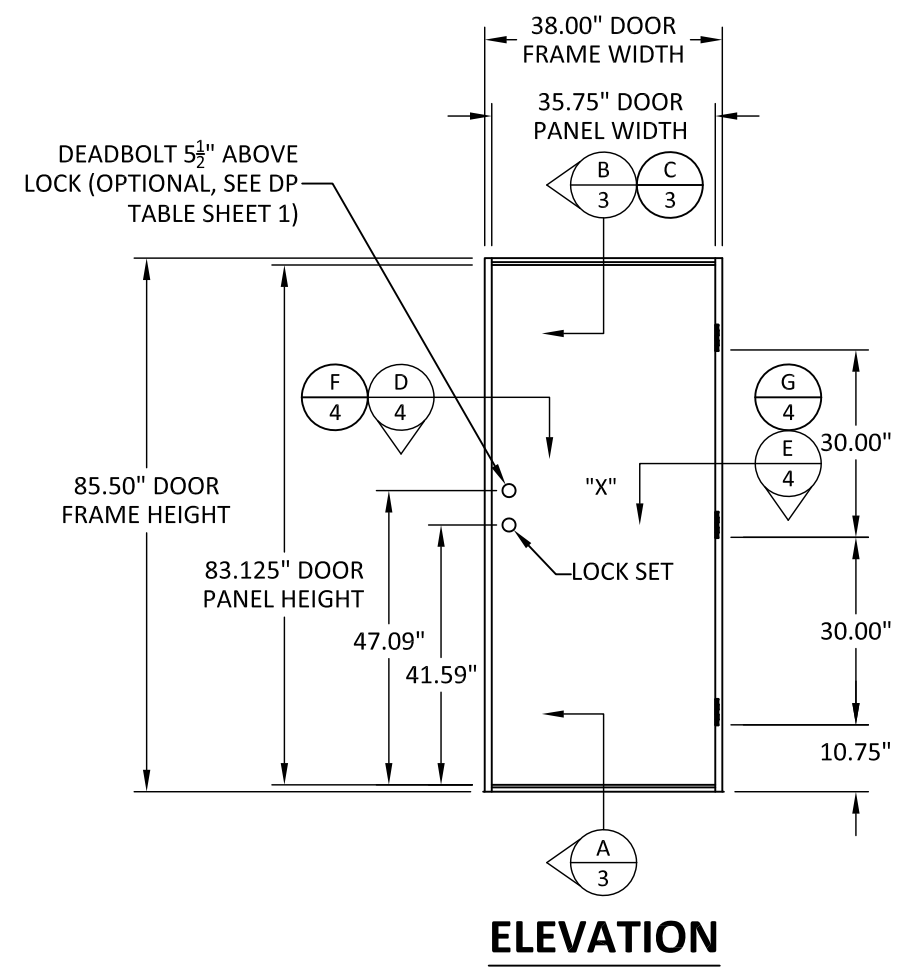
SHEET: **2**

NOTE:
FOR WOOD & STEEL SUBSTRATES: MINIMUM OF SEVEN (7) TOTAL ANCHORS REQUIRED PER JAMB. NO ANCHORS AT HEAD OR SILL.
FOR CONCRETE/MASONRY SUBSTRATES: MINIMUM OF SIX (6) TOTAL ANCHORS REQUIRED AT LOCK JAMB & SEVEN (7) ANCHORS AT HINGE JAMB. NO ANCHORS AT HEAD OR SILL.

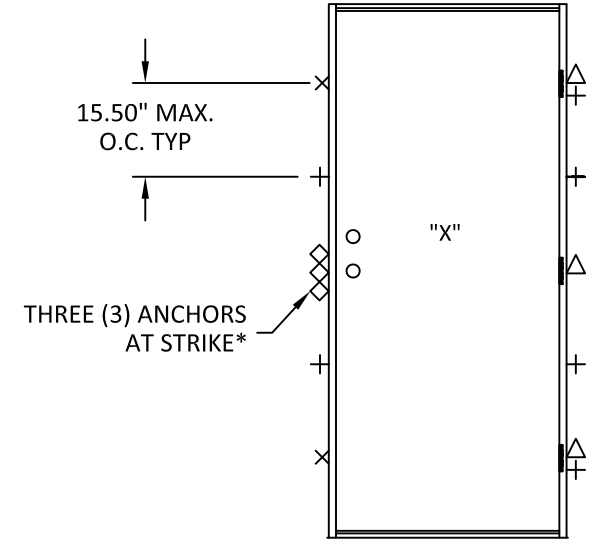
WHEN DEAD BOLT IS USED TWO (2) ADDITIONAL ANCHORS ARE REQUIRED AT DEAD BOLT STRIKE PLATE.

SEE SHEET 4 FOR SPECIFIC ANCHOR LOCATIONS.

*FOR MASONRY/CONCRETE INSTALLATIONS USE ONLY TWO (2) ANCHORS THROUGH STRIKE PLATE



ELEVATION



ANCHOR LAYOUT

- LEGEND:**
- × ANCHOR THROUGH INNER FRAME
 - ◇ ANCHOR THROUGH STRIKE PLATE (WHERE APPLICABLE)
 - + ANCHOR THROUGH OUTER FRAME
 - △ ANCHOR THROUGH HINGE

I:\projects\plyco corp\code change for plyco corp\dwgs\14800_2\pc002 2020-09-16.dwg

PLYCO

Plyco Corporation
500 Industrial Rd.
Elkhart Lake, WI 53020

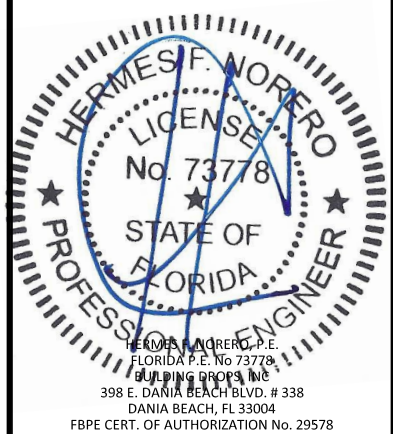
TITLE: SERIES 95EV FLUSH STEEL
OUTSWING DOOR
(NON-IMPACT)
VERTICAL SECTIONS

PREPARED BY:
BUILDING DROPS, INC.
398 E. DANIA BEACH BLVD., STE. 338
DANIA BEACH, FL 33004
PH: (954)399-8478
FAX: (954)744-4738
WEB: www.buildingdrops.com

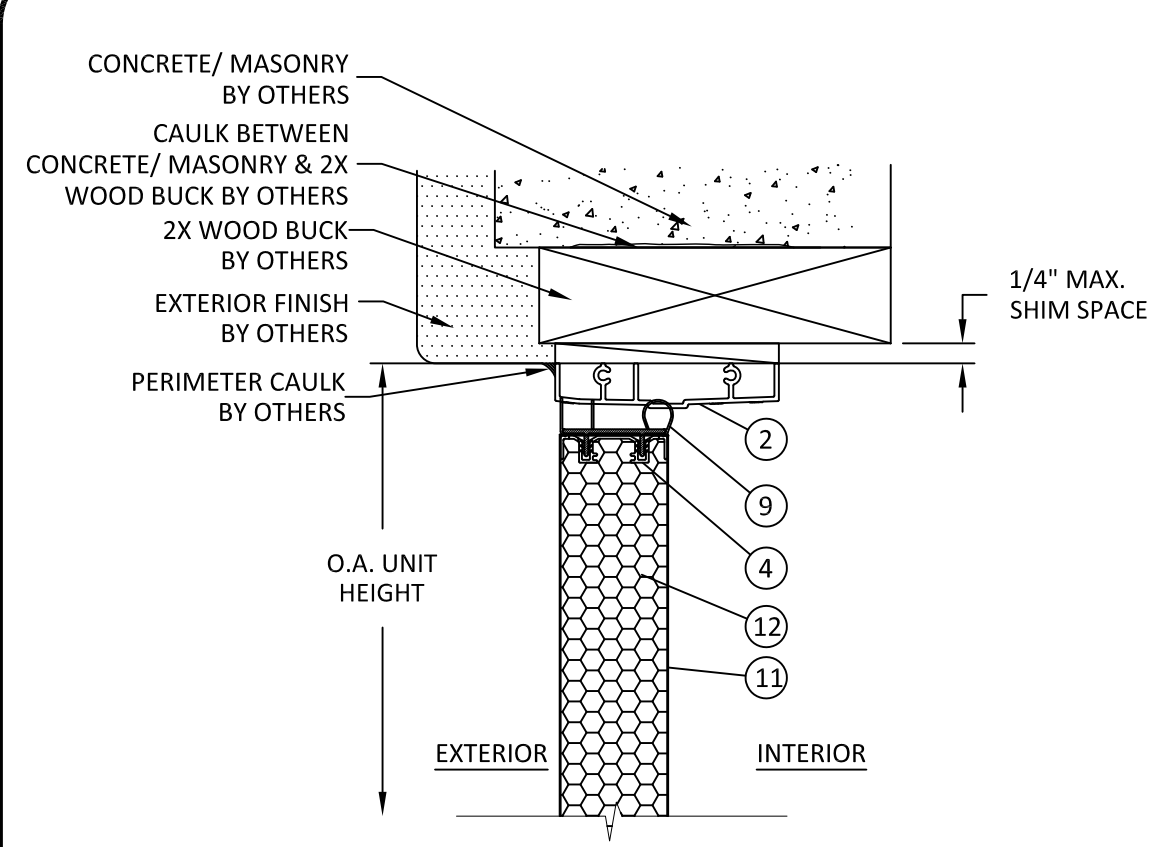


REMARKS	BY	DATE
FBC 2010 CODE CHANGE	GN	04.06.12
5TH ED. FBC CODE UPDATES	BB	05.21.15
7TH FBC CODE UPDATE	NUS	09.16.20

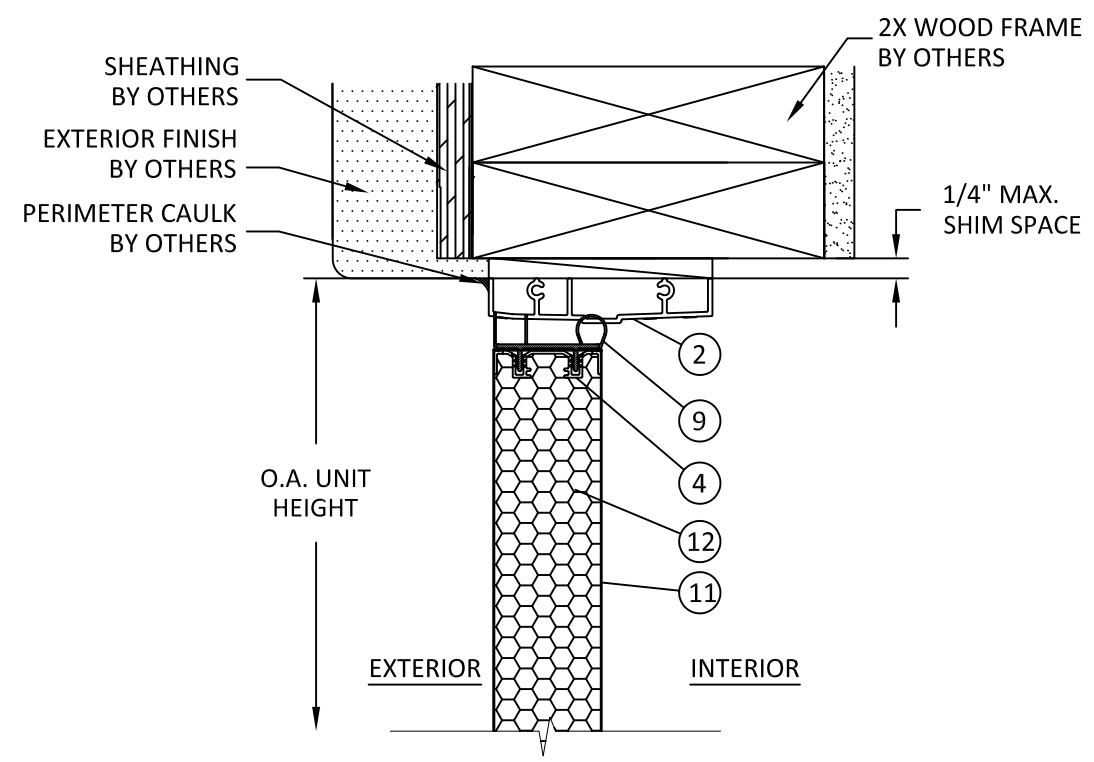
THE INSTALLATION DETAILS DESCRIBED HEREIN ARE GENERIC AND MAY NOT REFLECT ACTUAL CONDITIONS FOR A SPECIFIC SITE. IF SITE CONDITIONS CAUSE INSTALLATION TO DEVIATE FROM THE REQUIREMENTS DETAILED HEREIN, A LICENSED ENGINEER OR ARCHITECT SHALL PREPARE SITE SPECIFIC DOCUMENTS FOR USE WITH THIS DOCUMENT.



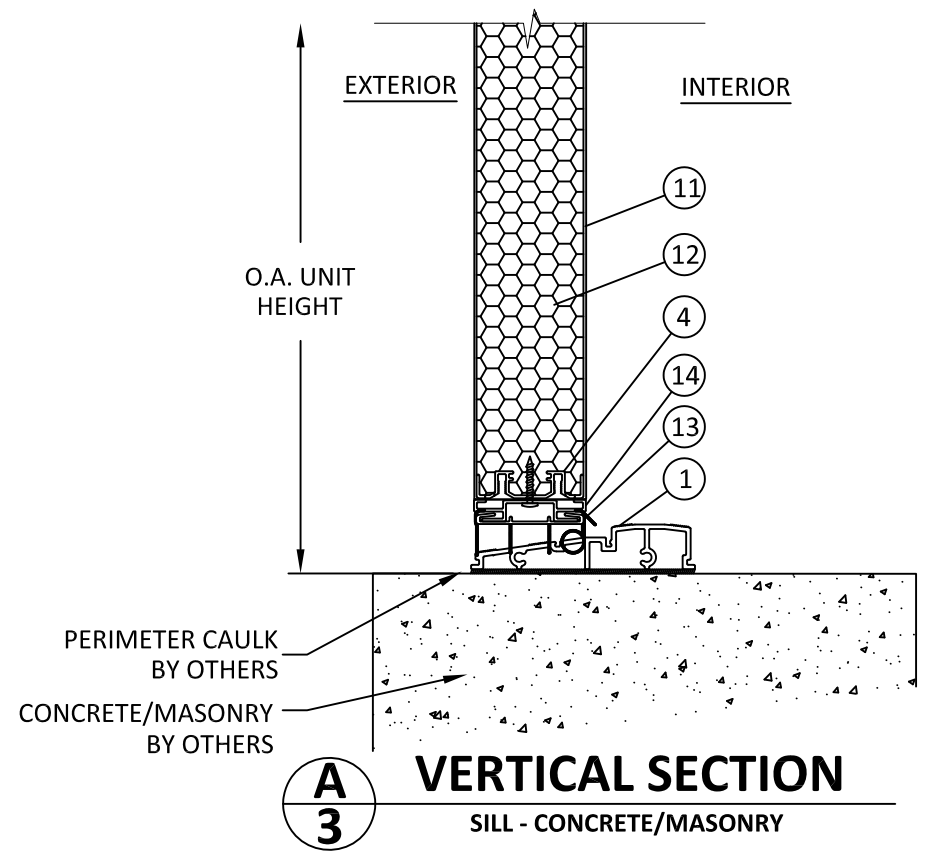
FL #:	FL 14800
DATE:	06.10.20
DWG. BY:	NUS
CHK. BY:	HFN
SCALE:	NTS
DWG. #:	PCO002
SHEET:	3



B
3 VERTICAL SECTION
HEAD - 2X WOOD BUCK



C
3 VERTICAL SECTION
HEAD - 2X WOOD FRAME



A
3 VERTICAL SECTION
SILL - CONCRETE/MASONRY

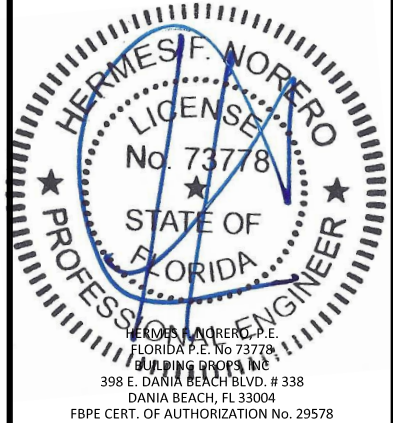
1/20/2021 11:12 AM
s:\projects\plyco corp\cc-20-0517 - fbc submittal - fbc 2020 (version 7) code change for plyco corp\dwg\14800-2\pco002 2020-09-16.dwg

TITLE: SERIES 95EV FLUSH STEEL
OUTSWING DOOR
(NON-IMPACT)
HORIZONTAL
SECTIONS

PREPARED BY:
BUILDING DROPS, INC.
398 E. DANIA BEACH BLVD., STE. 338
DANIA BEACH, FL 33004
PH: (954)399-8478
FAX: (954)744-4738
WEB: www.buildingdrops.com

REMARKS	BY	DATE
FBC 2010 CODE CHANGE	GN	04.06.12
5TH ED. FBC CODE UPDATES	BB	05.21.15
7TH FBC CODE UPDATE	NUS	09.16.20

THE INSTALLATION DETAILS DESCRIBED HEREIN ARE GENERIC AND MAY NOT REFLECT ACTUAL CONDITIONS FOR A SPECIFIC SITE. IF SITE CONDITIONS CAUSE INSTALLATION TO DEVIATE FROM THE REQUIREMENTS DETAILED HEREIN, A LICENSED ENGINEER OR ARCHITECT SHALL PREPARE SITE SPECIFIC DOCUMENTS FOR USE WITH THIS DOCUMENT.



FL #:

FL 14800

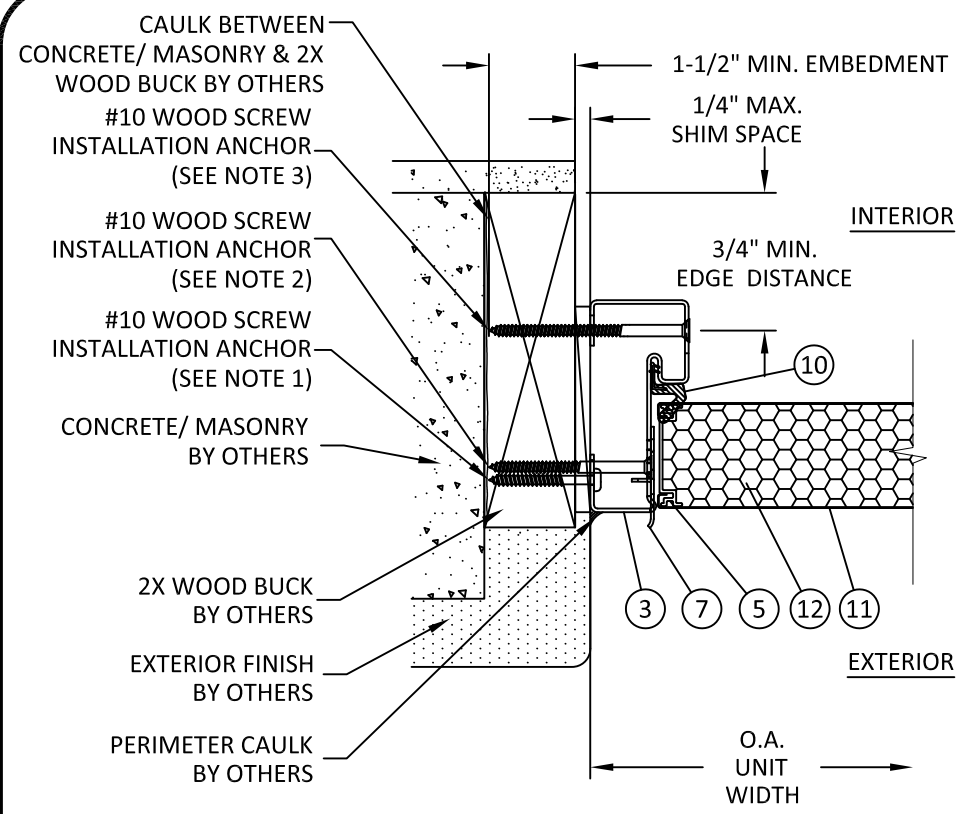
DATE: 06.10.20

DWG. BY: NUS CHK. BY: HFN

SCALE: NTS

DWG. #: PC002

SHEET:



D
4 HORIZONTAL SECTION
JAMB - 2X WOOD BUCK, TYP.

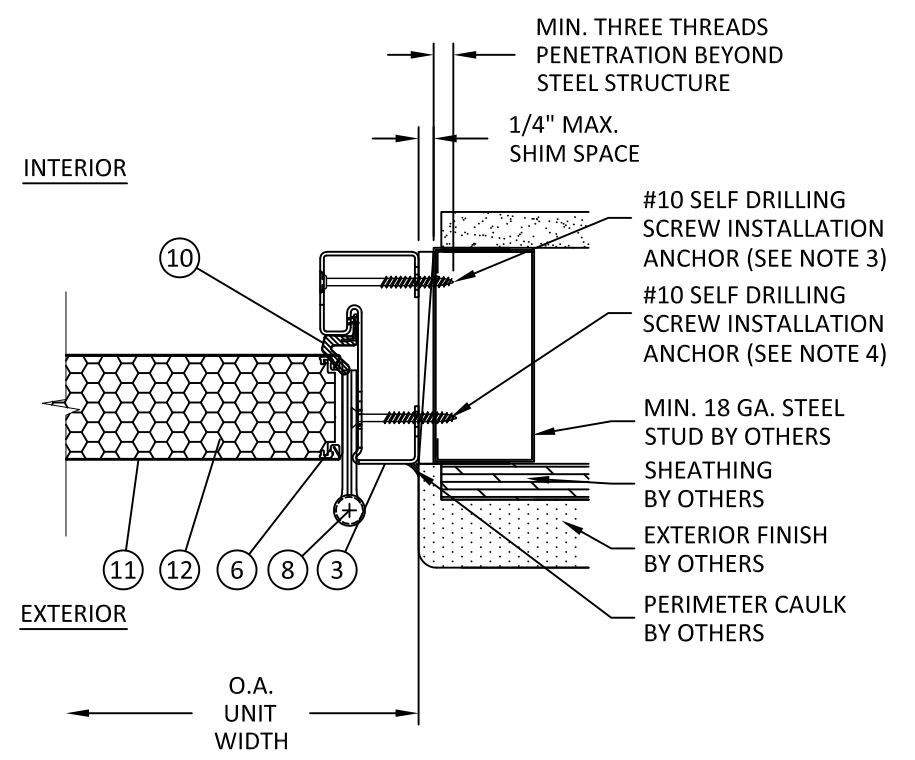
ANCHOR NOTES:

NOTE 1: ANCHOR THROUGH INNER FRAME

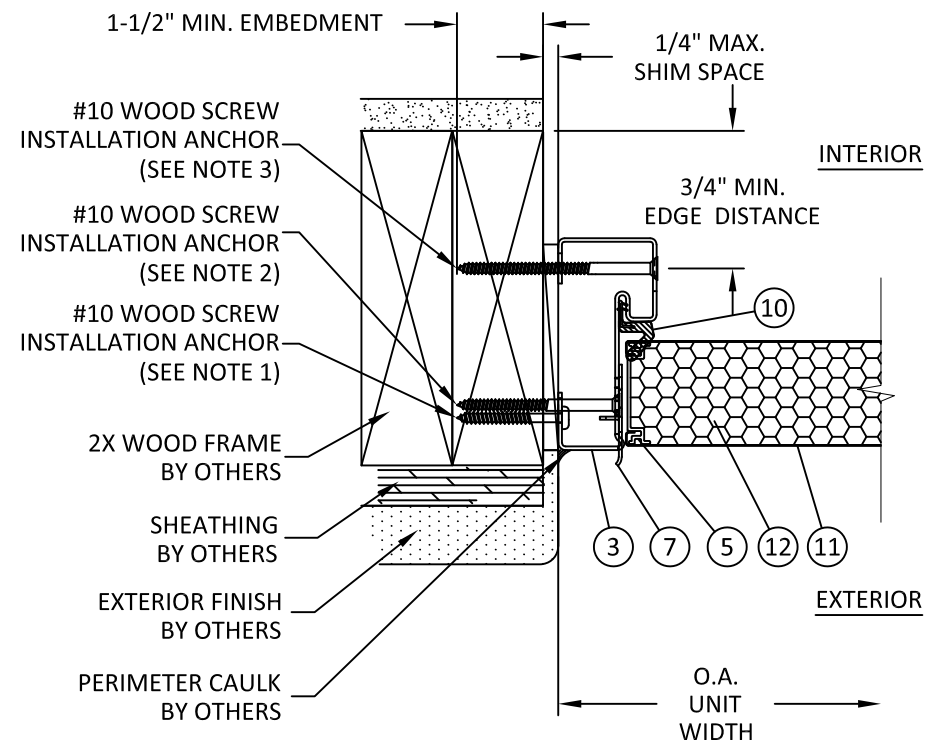
NOTE 2: ANCHOR THROUGH STRIKE PLATE (WHERE APPLICABLE)

NOTE 3: ANCHOR THROUGH OUTER FRAME

NOTE 4: ANCHOR THROUGH HINGE



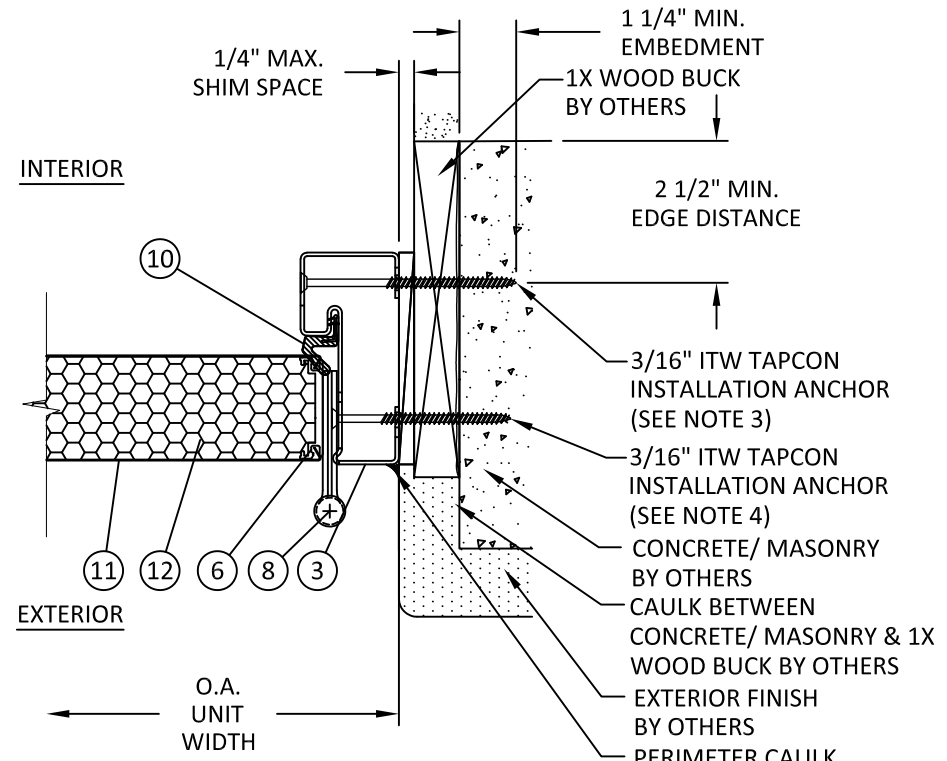
E
4 HORIZONTAL SECTION
JAMB - STEEL STUD, TYP.



F
4 HORIZONTAL SECTION
JAMB - 2X WOOD FRAME, TYP.

ANCHOR SCHEDULE			
SUBSTRATE	ANCHOR TYPE	EMBEDMENT (IN.)	EDGE DISTANCE (IN.)
WOOD (MIN. S.G. = 0.55)	#10 WOOD SCREW	1.5	0.75
CONCRETE (MIN. F'C = 3,000 PSI) OR CMU (PER ASTM C90)	3/16" ITW TAPCON	1.25	2.50
METAL STUD (STEEL MIN. 18GA, Fy = 33ksi)	#10 SMS OR SELF DRILLING SCREW	3 THREADS PENETRATION BEYOND METAL WALL	0.50

1/4" MAX SHIM SPACE FOR ALL ANCHOR TYPES



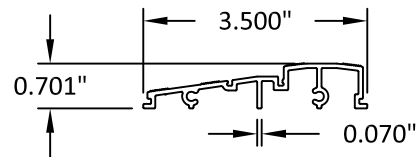
G
4 HORIZONTAL SECTION
JAMB - MASONRY/CONCRETE, TYP.

BILL OF MATERIALS

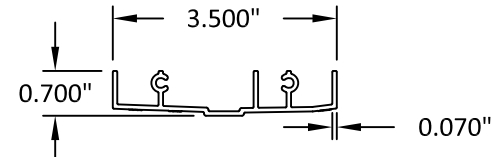
ITEM NO.	DESCRIPTION	PARTS NUMBERS	MATERIAL	MANUFACTURER
1	FRAME SILL	1647	6063-T5	MODERN DOOR
2	FRAME HEAD	1554	6063-T5	MODERN DOOR
3	FRAME JAMB	1539	STEEL	MODERN DOOR
4	HEAD & SILL RAIL	1838-1A	6063-T5	MODERN DOOR
5	STRIKE RAIL	1839	6063-T5	MODERN DOOR
6	HINGE RAIL	1840-B	6063-T5	MODERN DOOR
7	STRIKE PLATE	---	STEEL	MODERN DOOR
8	4" BUTT HINGE	---	STEEL	MODERN DOOR
9	HEAD SWEEP	---	PVC-ALCRYN	MODERN DOOR
10	WEATHERSTRIPPING	---	FOAM/Q-LON	SCHLEGEL
11	DOOR SKIN	---	0.015" STEEL	MODERN DOOR
12	PANEL CORE	---	POLYURETHANE	MODERN DOOR
13	SILL SWEEP	---	PVC-ALCRYN	MODERN DOOR
14	SWEEP ADAPTOR	---	6063-T5	MODERN DOOR

NOTE: ALL EXPOSED STEEL COMPONENTS ARE GALVANIZED AND SHOP PRIMED.

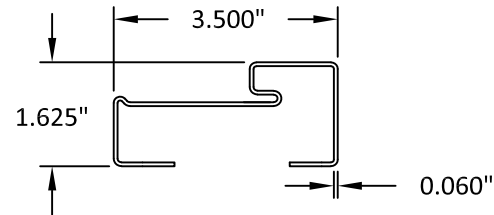
1 FRAME SILL
ALUMINUM 6063-T5



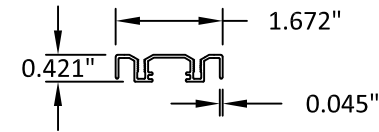
2 FRAME HEAD
ALUMINUM 6063-T5



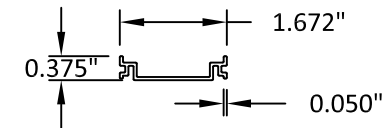
3 FRAME JAMB
16 GA. STEEL



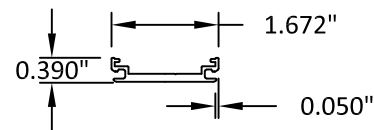
4 HEAD & SILL RAIL
ALUMINUM 6063-T5



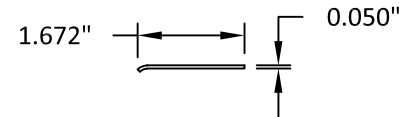
5 STRIKE RAIL
ALUMINUM 6063-T5



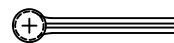
6 HINGE RAIL
ALUMINUM 6063-T5



7 STRIKE PLATE
18 GA. STEEL



8 4" BUTT HINGE
STEEL



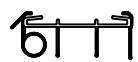
9 HEAD SWEEP
PVC-ALCRYN



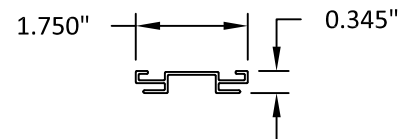
10 WEATHERSTRIPPING
FOAM FILLED Q-LON



13 SILL SWEEP
PVC-ALCRYN



14 SWEEP ADAPTOR
ALUMINUM 6063-T5



PLYCO

Plyco Corporation
500 Industrial Rd.
Elkhart Lake, WI 53020

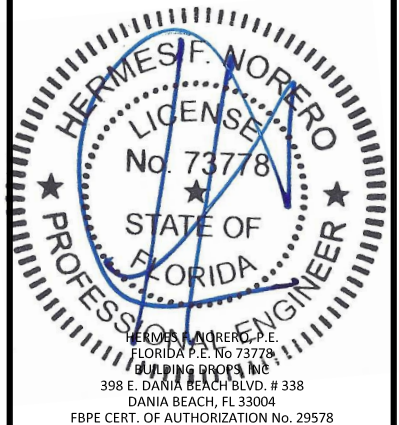
TITLE: SERIES 95EV FLUSH STEEL
OUTSWING DOOR
(NON-IMPACT)
COMPONENTS
& BILL OF MATERIALS

PREPARED BY: BUILDING DROPS, INC.
398 E. DANIA BEACH BLVD., STE. 338
DANIA BEACH, FL 33004
PH: (954)399-8478
FAX: (954)744-4738
WEB: www.buildingdrops.com



REMARKS	BY	DATE
FBC 2010 CODE CHANGE	GN	04.06.12
5TH ED. FBC CODE UPDATES	BB	05.21.15
7TH FBC CODE UPDATE	NUS	09.16.20

THE INSTALLATION DETAILS DESCRIBED HEREIN ARE GENERIC AND MAY NOT REFLECT ACTUAL CONDITIONS FOR A SPECIFIC SITE. IF SITE CONDITIONS CAUSE INSTALLATION TO DEVIATE FROM THE REQUIREMENTS DETAILED HEREIN, A LICENSED ENGINEER OR ARCHITECT SHALL PREPARE SITE SPECIFIC DOCUMENTS FOR USE WITH THIS DOCUMENT.



FL #:	FL 14800
DATE:	06.10.20
DWG. BY:	NUS
CHK. BY:	HFN
SCALE:	NTS
DWG. #:	PCO002
SHEET:	5
	OF 5